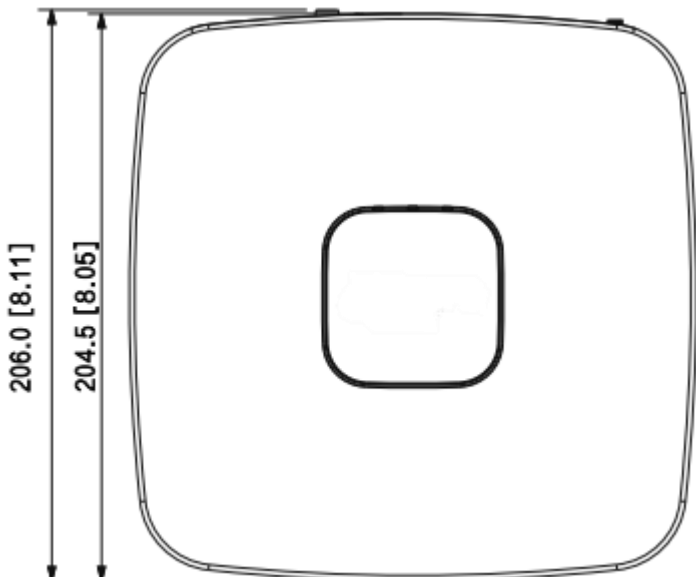
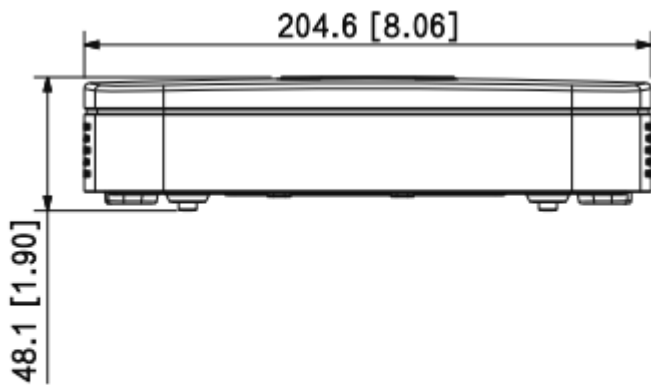


E-N-08-1^{PRO} 3

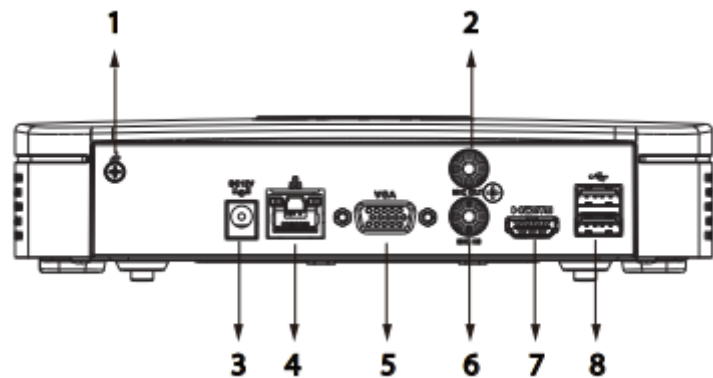
8 Channels 1U 1HDD PoE Network Video Recorder



Dimensions mm (inch)



Panels



- | | | | |
|---|-------------|---|--------------------------|
| 1 | Ground | 2 | AUDIO OUT, RCA Connector |
| 3 | Power Input | 4 | Network Port |
| 5 | VGA Port | 6 | AUDIO IN, RCA Connector |
| 7 | HDMI Port | 8 | USB Ports |

Technical Specification

Audio and Video

Access Channel	8 channels
Network Bandwidth	Access: 80 Mbps; Storage: 80 Mbps; Forward: 60 Mbps
Resolution	12MP; 8MP; 5MP; 4MP; 3MP; 2MP; 720p; D1
Decoding Capability	1-channel 12MP@30 fps; 1-channel 8MP@30 fps; 2-channel 5MP@30 fps; 3-channel 4MP@30 fps; 6-channel 1080p@30 fps
Video Output	1 × VGA, 1 × HDMI (simultaneous)
Multi-screen Display	1, 4, 8, 9 views
Third-party Camera Access	Onvif

Compression Standard

Video Compression	Smart H.265; H.265; Smart H.264; H.264
Audio Compression	PCM; G711A; G711U; G726

Network

Network Protocol	HTTP; HTTPS; TCP/IP; IPv4; RTSP; UDP; NTP; DHCP; DNS; SMTP; UPnP; IP Filter; DDNS; Alarm Server; IP Search (Supports Dahua IP camera, DVR, NVS, etc.); P2P
Mobile Phone Access	Android; iOS
Interoperability	ONVIF (profile T/S/G); CGI; SDK
Browser	Chrome; IE 9 or later; Firefox

Recording Playback

Multi-channel Playback	Up to 8 channels
Record Mode	Manual record; alarm recording; SMD recording; smart recording
Storage Method	Local HDD and network
Backup Method	USB device
Playback Function	1. Play/pause/stop/slow/quick/backward/by frame 2. Full screen, backup (video clip/file), partial zoom in, and audio on/off

Alarm

General Alarm	Motion detection; privacy masking; video loss; PIR alarm
Anomaly Alarm	Camera offline; storage error; disk full; IP conflict; MAC conflict; login lock; cyber security exception
Intelligent Alarm	Perimeter protection; SMD Plus
Alarm Linkage	Recording; snapshot; buzzer; log; preset; email; tour

System

Main Processor	Industrial-grade processor
Operating System	Embedded Linux
Operating Interface	Web, Local GUI

AI

AI by Camera	Perimeter protection; SMD Plus
--------------	--------------------------------

Perimeter Protection

Perimeter Performance of AI by Camera (Number of Channels)	4 channels
--	------------

SMD Plus

SMD Plus by Camera	4-channel SMD Plus (AI by camera), secondary filtering for human and motor vehicle SMD Plus, reducing false alarms caused by leaves, rain and lighting condition change
--------------------	---

Port

Audio Input	1
Audio Output	1
HDD Interface	1 SATA port, up to 16 TB.
USB	1 front USB 2.0 port, 1 rear USB 2.0 port
HDMI	1
VGA	1
Network Port	1 × RJ-45, 10/100 Mbps self-adaptive Ethernet port

General

Power Supply	12 VDC, 1.5 A
Power Consumption	Total output of NVR is ≤ 10 W (without HDD)
Net Weight	0.42 kg
Gross Weight	1.03 kg
Product Dimensions	204.6 mm × 206.4 mm × 45.6 mm
Packaging Dimensions	96 mm × 364 mm × 261 mm
Operating Temperature	-10 °C to +55 °C
Operating Humidity	10%–93%
Installation	Rack or desktop
Certifications	CE: EN62368-1; EN55032; EN55024; EN55035; EN61000-3-2; EN61000-3-3; EN50130-4 FCC: Part 15 Subpart B